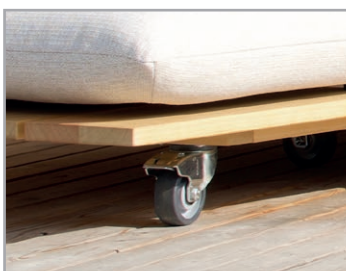


# ASSEMBLY AND INSTRUCTION MANUAL

## MODEL OD1047 AKITO

© 2014 KURT BEIER & KATI QUINGER



Galvanised castors (extra charge)



Armrest and back completely foldable



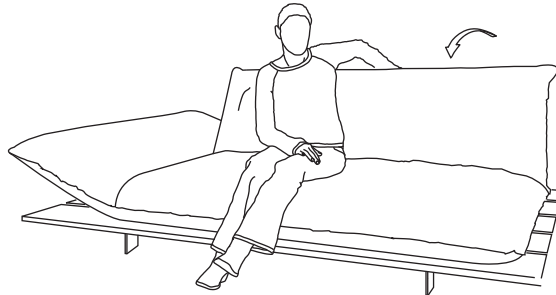
With practical shelf due to lateral seat adjustment

## Use of back- and armrest function

---

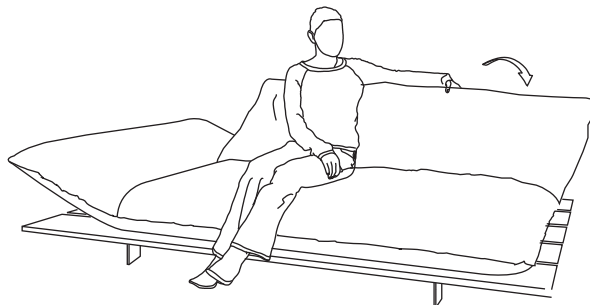
Adjustment of back slant:

1. To adjust the desired position grip the back from the outside and pull it carefully into your direction.



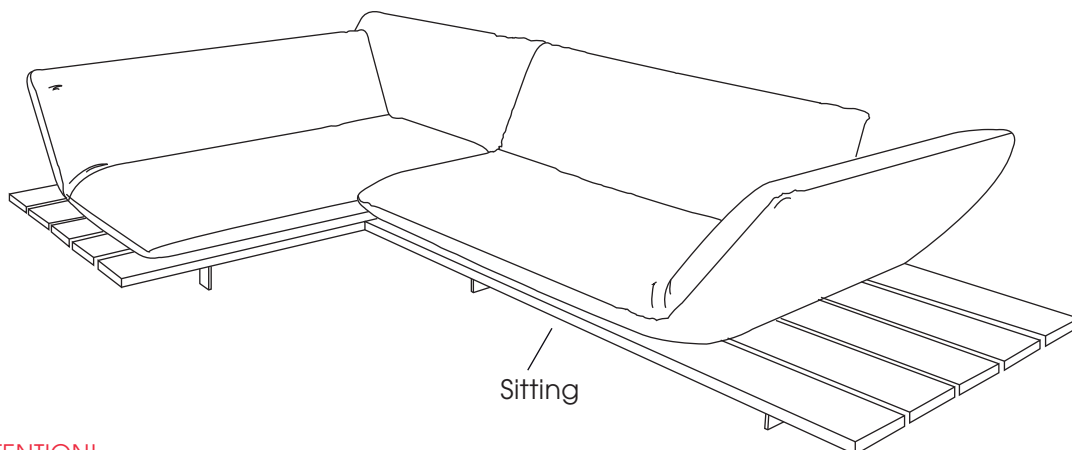
2. To obtain zero position pull the back carefully beyond the top position into your direction and fold down into zero position.

3. From zero position you can easily snap the back into desired position.



To adjust armrest, proceed the same way.

Akito does not need connectors to build a corner group.



**ATTENTION!**

**DON'T SIT DOWN ON BACK OR ARMREST EXCEPT THEY ARE AT LOWEST POSITION.**